



Service
& Parts

Spare Parts Catalogue

GPW35Y/FS5 (ALT. M) (ACP GCB2) +BAT+BRB+ETB+GDH+GSB+MBS+MFT-S+SPB19+TWF+WSP

Power Generator | **Generating sets**

Valid for machine code: **BP360TYAY0B**

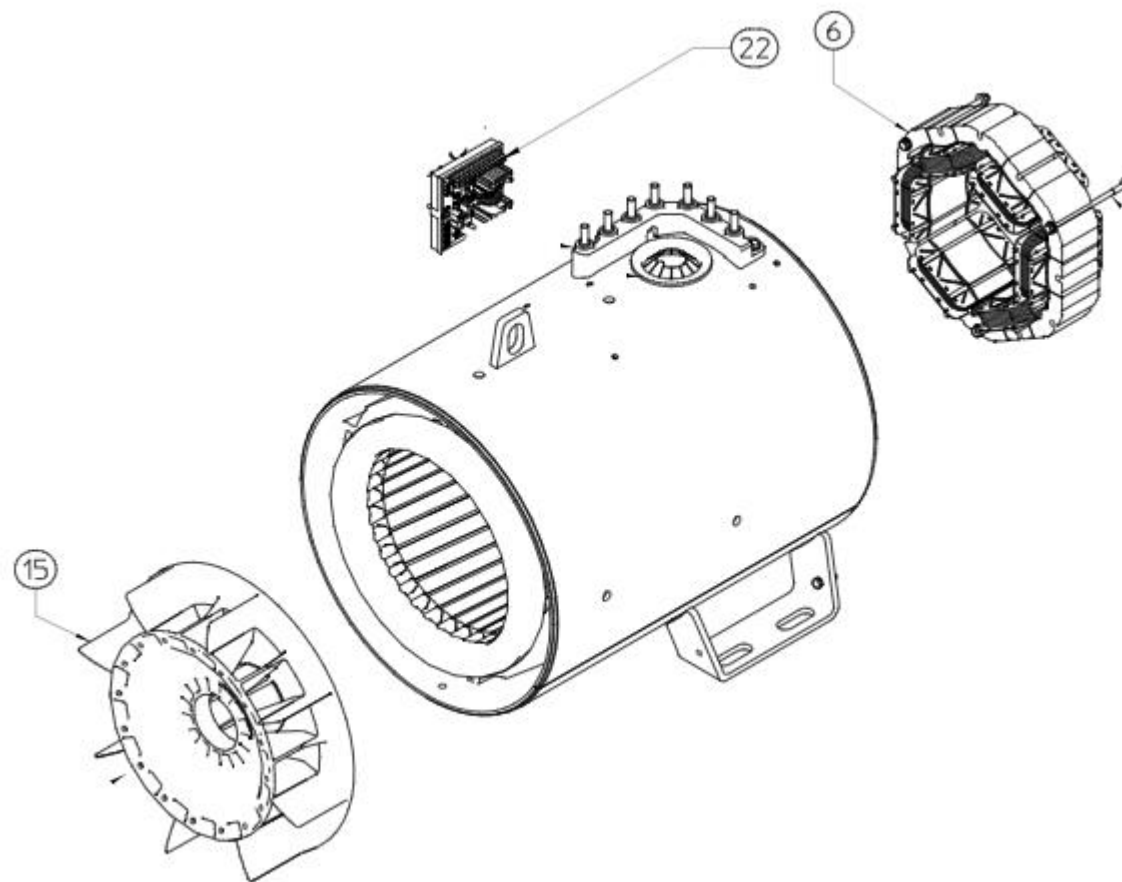
Revision: **0**



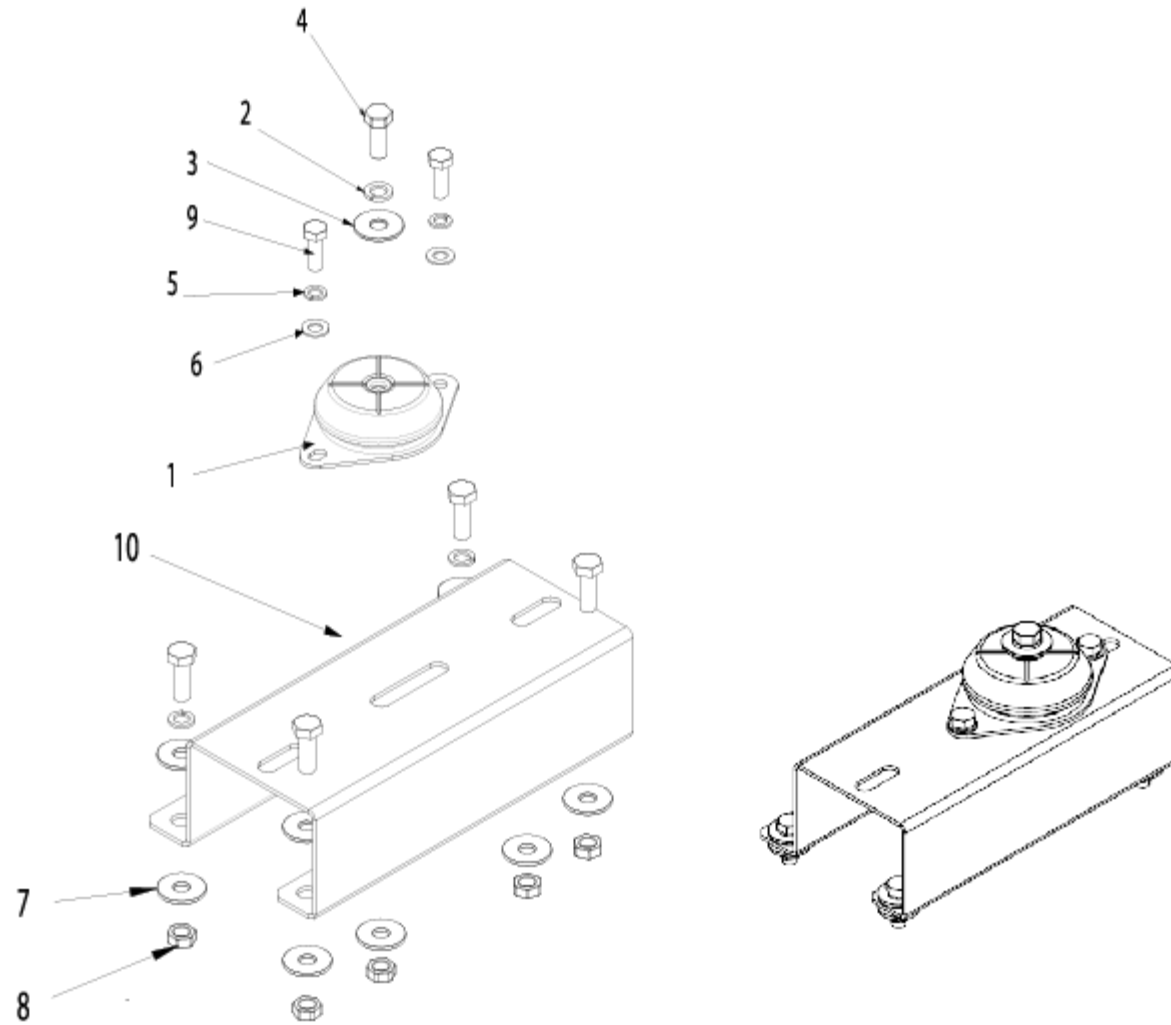
| Numbering | Reference |
|------------------|--|
| 0-99 | Engine & Engine's Options (additional sensors, heavy duty filters, hot part protection...) |
| 100-169 | Alternator & Alternator's Options (additional sensors, special screws for coupling...) |
| 170-199 | Elastic Coupling (if provided...) |
| 200-299 | Remote Radiator or Heat Exchanger (if provided...) |
| 300-399 | Baseframe & All Support (baseframe, rack, crossbar, electrical panel support, radiator support, engine support, alternator support, fuel tank, silent block, special screws for radiator fixing) |
| 400-499 | Control Panel & Power Panel (power cables kit, power cable protection, engine wirings) |
| 500-599 | Canopy or Container (canopy accessories, engine compartment separator, emergency button, emergency lights, fire extinguishers, additional soundproofing sheet...) |
| 600-699 | Exhaust (muffler, gaskets, piping kit,...) |
| 700-799 | Battery and Drainage Kit (battery support and cables, engine oil drainage kit, radiator drainage kit, gasoline piping kit...) |
| 800-899 | Testing and Shipping Materials (engine oil, gasoline, antifreeze liquid for radiator, water, warranty, manual, stickers, cover sheet...) |
| >1000 | Optionals (PHS, LDS, ALS, WSP, AFP, ...) |



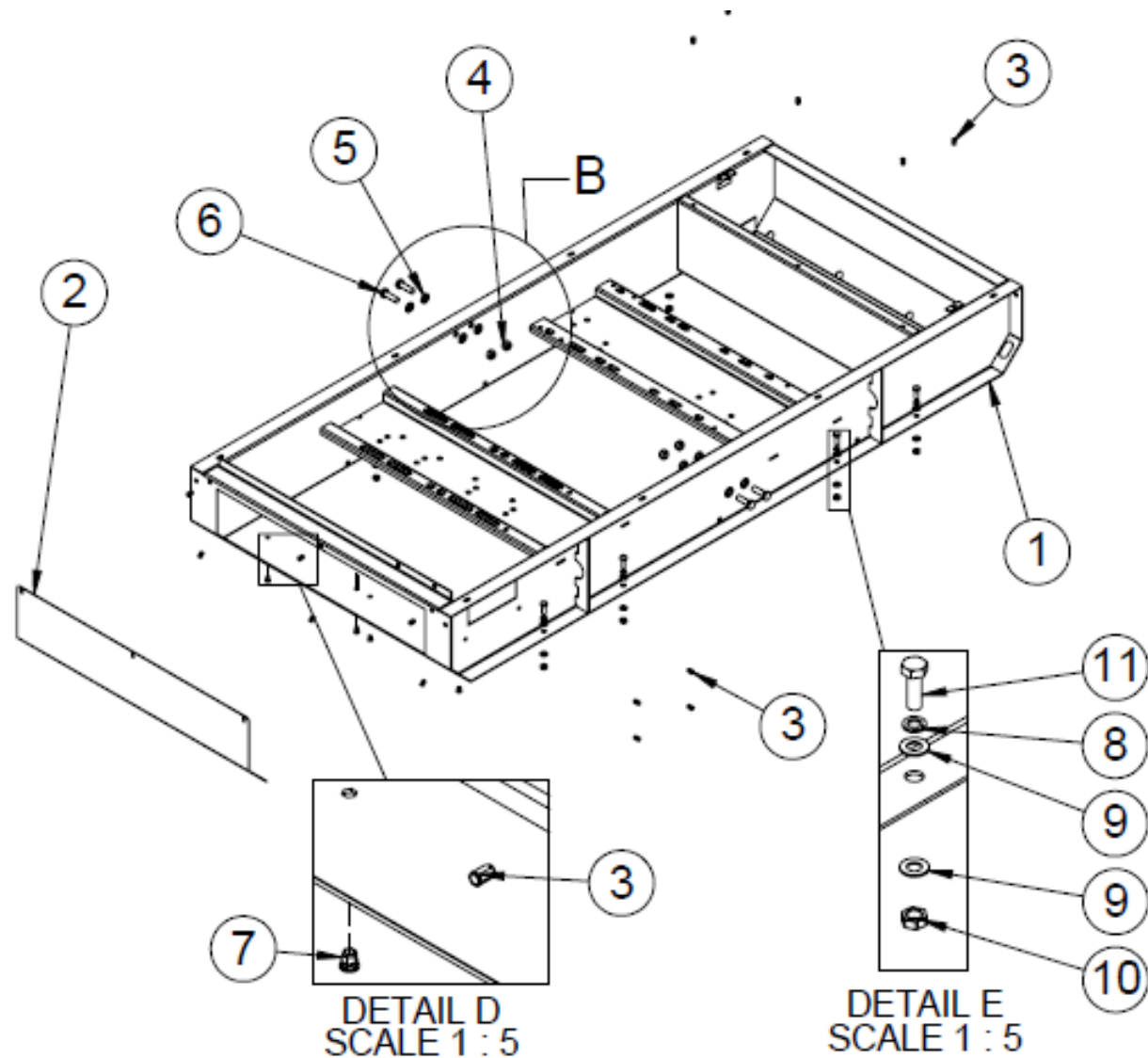
| Position | Part Number | Description | Note |
|----------|-------------|---|------|
| 1 | EYW450FUDMZ | Engine Yanmar 4TNV98C-IPGE Water_1500__Sae3-11"½_12Vdc_StageV_Ver/Sp: | |
| 2 | PEY00004 | Oil filter | |
| 3 | PEY01086 | Primary Fuel Filter | |
| 4 | PEY01087 | Internal Air Filter | |
| 5 | PEY00227 | Air filter | |

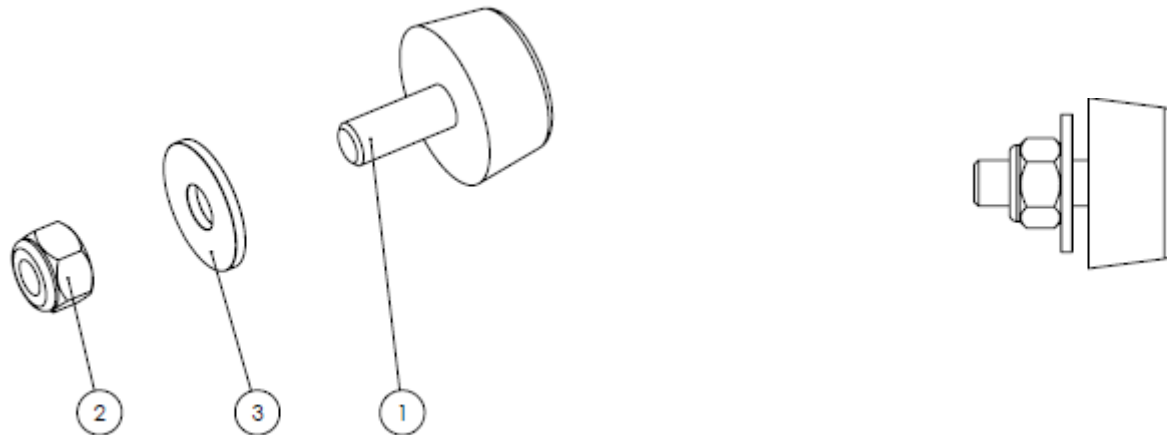


| Position | Part Number | Description | Note |
|----------|--------------|---|------|
| 100 | AMX37FUT000Z | ALTERNATOR ECP32 1S4 C 41/115/230/400/50-60/1500/12M - MD35 FORM - SAE 3 - JOINT 11"½ - MECC-ALTE | 100 |
| 6 | PAM00163 | EXCITER STATOR H-45 6P | 6 |
| 15 | PAM00096 | FAN ECP32 | 15 |

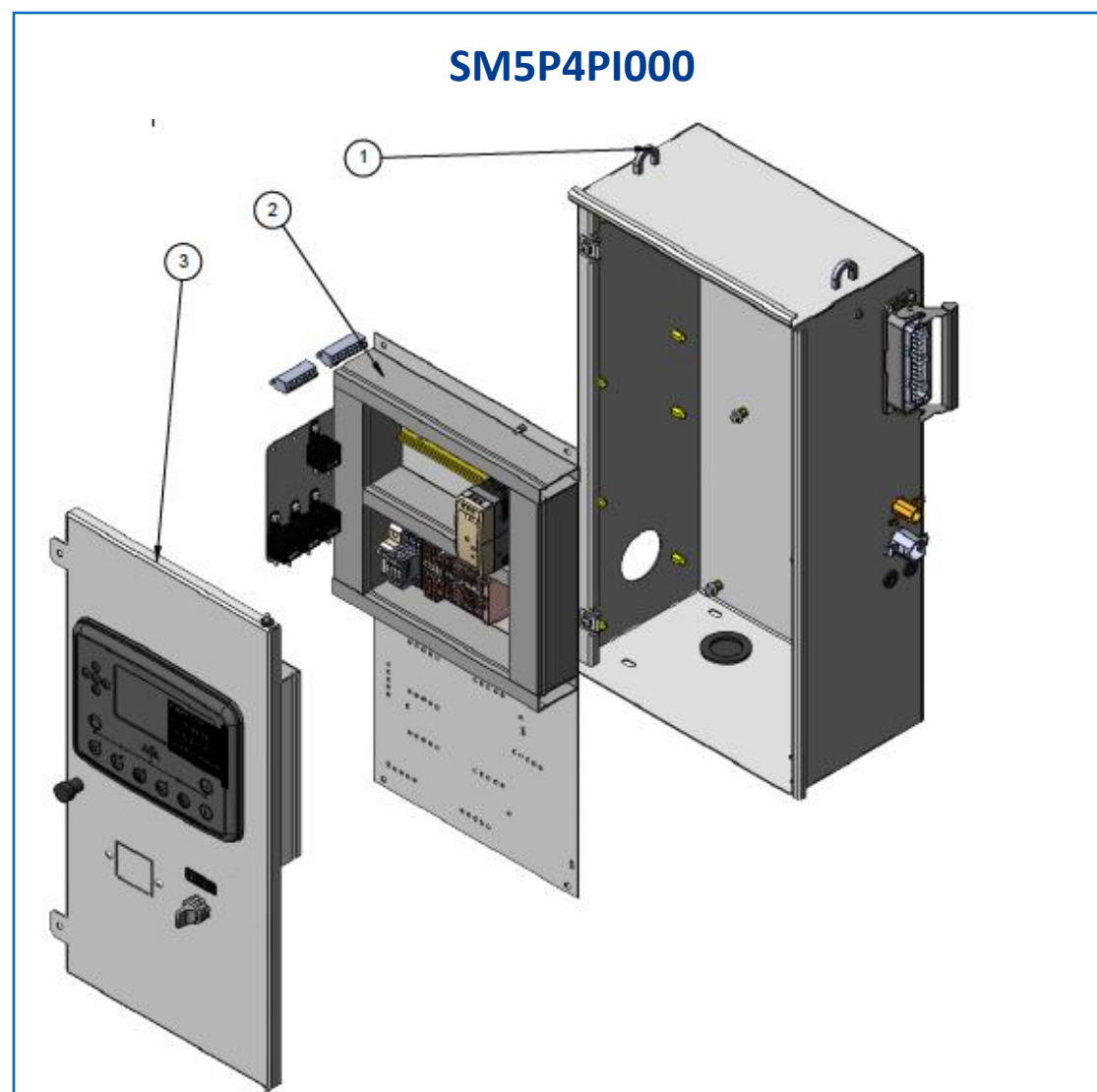
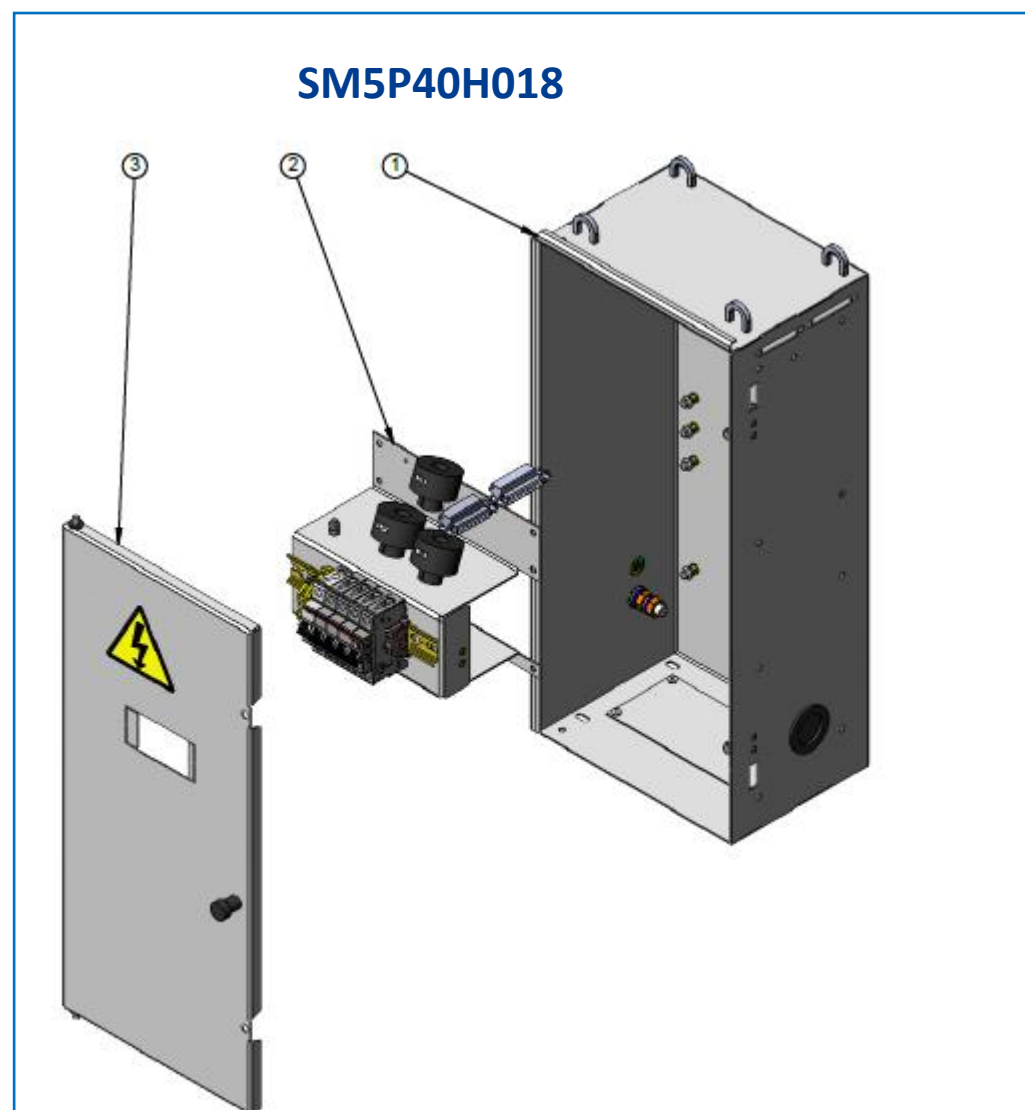


| Position | Part Number | Description | note |
|----------|-----------------|--|------|
| 1 | G052932 | SILENT-BLOCK CAMPANA BSB 95 C60 M-12 | |
| 2 | G041106 | GROWER WASHER DIN 127 M12 | |
| 3 | G041830 | Washer 12.5x36x2.5 ZN | |
| 4 | G022039 | SCREW HEX. 8.8 DIN 933 M12X30 ZN | |
| 5 | G041310 | GROWER WASHER 1751-A8 ZN | |
| 6 | G041210 | FLAT WASHER DIN 125 M10X20X2 | |
| 7 | G041510 | ROSETTA GREMBIALINA 6593 D 10X30 ZN (DIN 9021) | |
| 8 | G032110 | 8.8 DIN 934 M10 ZN HEX NUT | |
| 9 | G022023 | Screw 5739 65 8.8 M10x30 ZN | |
| 10 | NVB002421-9005B | ALTERNATOR RAISED SUPPORT H=82MM A20 YANMAR S5 (PAINTED RAL 9005B) | |

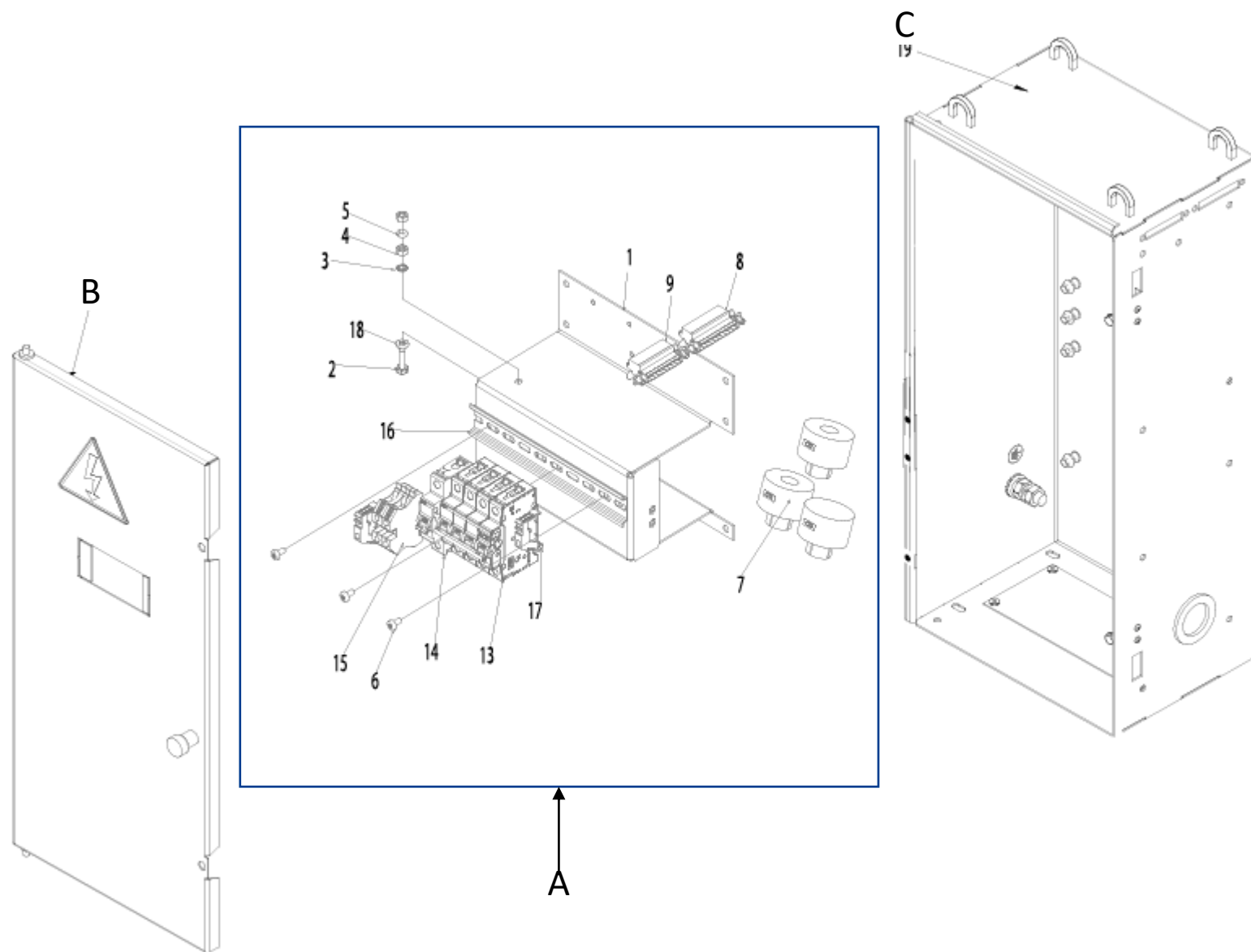




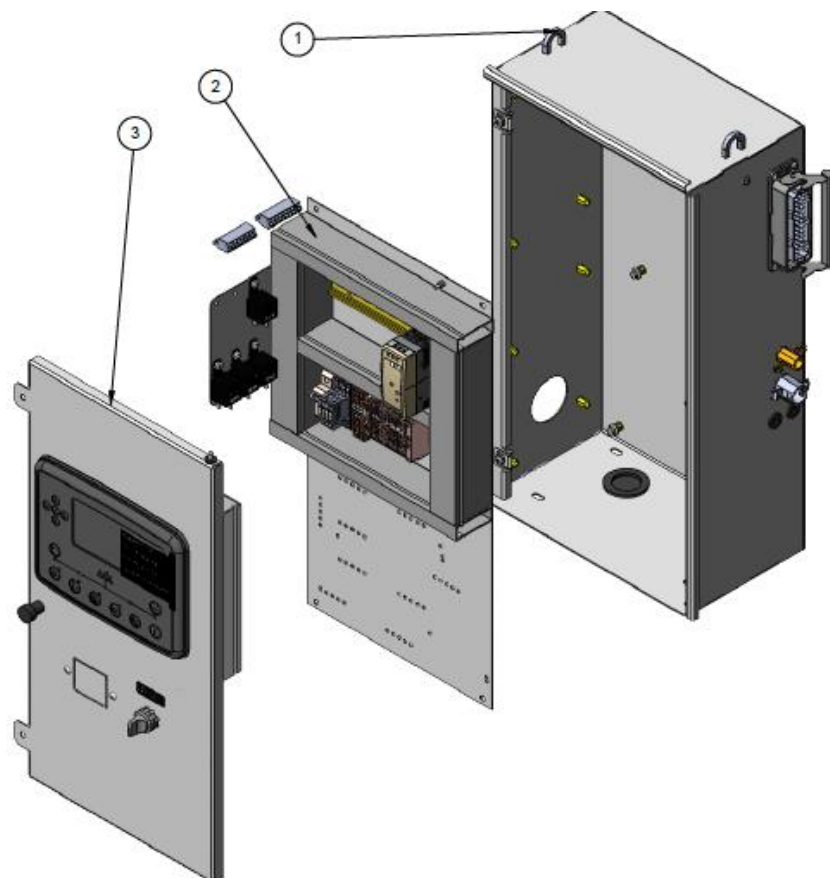
| Position | Part Number | Description | note |
|----------|-------------|--|------|
| 1 | G080537 | SILENT-BLOCK PIED. M-38x18-M10x25 SH50 | |
| 2 | G034309 | SCREW AUTOBL. 7473 M10 ZN | |
| 3 | G041510 | Washer 6593 D 10X30 ZN (DIN 9021) 1 | |



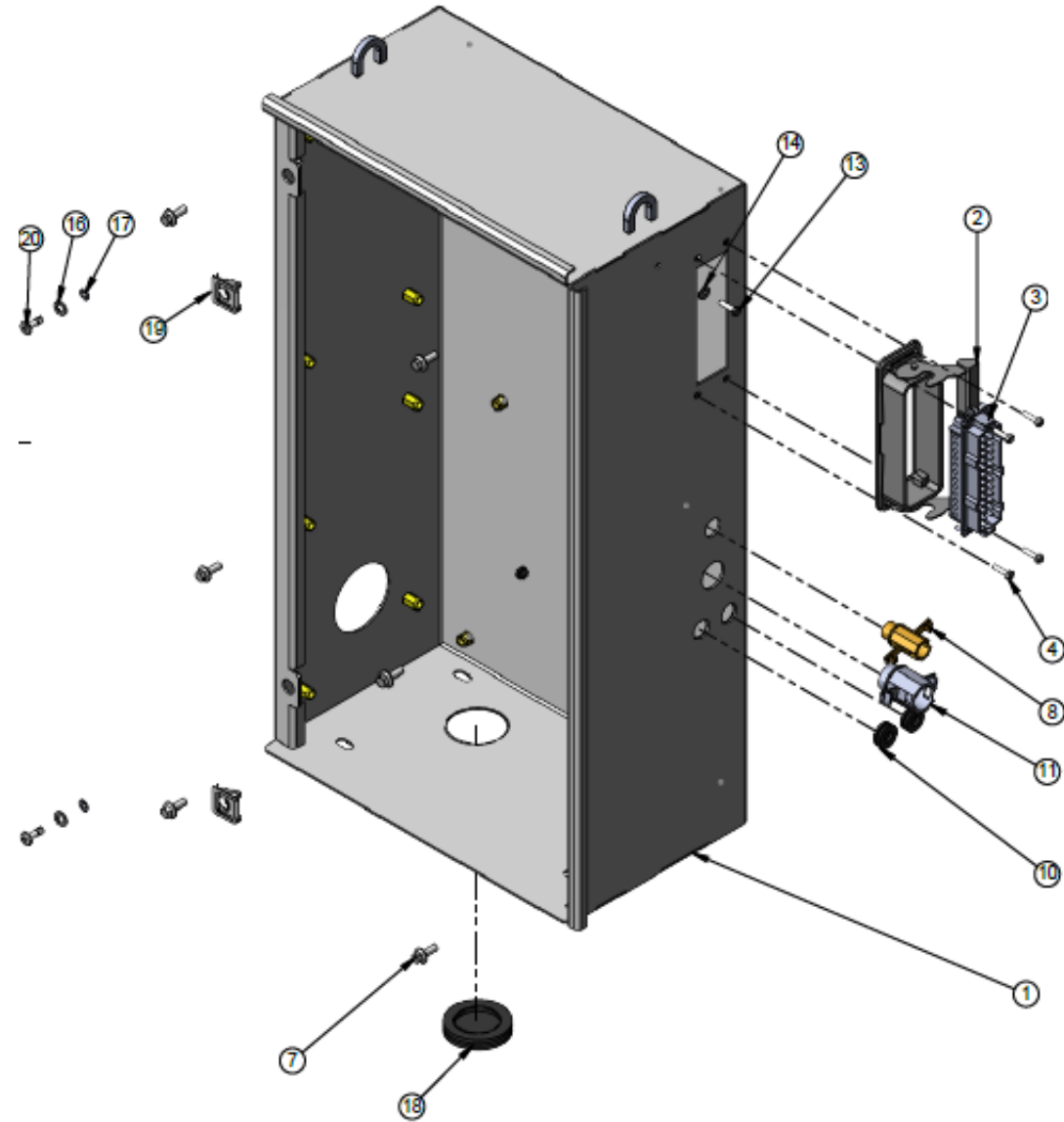
| Position | Part Number | Description | note |
|-------------------|-------------|---|------|
| SM5P40H018 | | P18 POWER PANEL - 63A 4P +GCB2 (ASSEMBLED | |
| | SM5P00P264 | CAJA DE POTENCIA P18 (ENSAMBLADO) | |
| | SM5P00P267 | KIT DE POTENCIA P18 - 50A 4P - GCB2 | |
| | SM5P00P280 | FRONTAL DE POTENCIA P18 - INT. MODULAR 3/4P (ENSAMBLADO) | |
| | | | |
| SM5P4PI000 | | C18 CONTROL PANEL (DSE7320 MKII) (ASSEMBLED) - CONTROL STANDARD) | |
| | SM5P00P292 | C18 CONTROL BOX (ASSEMBLED) | |
| | SM5P10C129 | C18 CONTROL MOUNTING PLATE (ASSEMBLED) | |
| | SM5P10C130 | C18 (DS7320 MKII) CONTROL FRONTAL (ASSEMBLED) | |



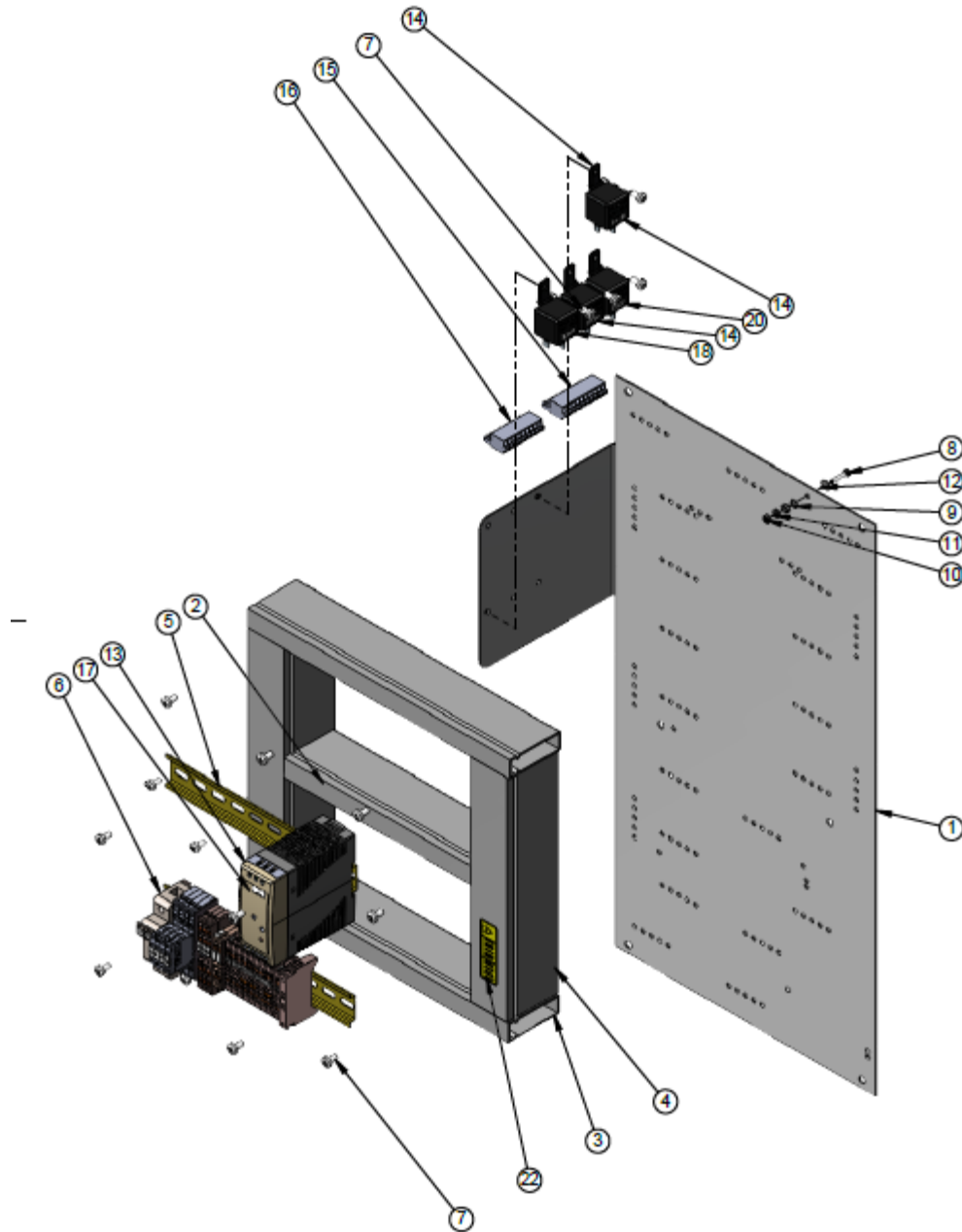
| Position | Part Number | Description | Qty |
|----------|-------------|--|-----|
| A | SM5P00P267 | P18 POWER KIT - 63A 4P - GCB2 | 1 |
| 1 | SM5P00P265 | SOPORTE TERMICO P18 - INT. MODULAR (PLEGADO+REMACHADO) | 1 |
| 2 | G020358 | TORNILLO HEX. 8.8 DIN 933 M6X20 ZN | 1 |
| 3 | G041613 | ARANDELA ABANICO DIN 6798 M6 | 1 |
| 4 | G032106 | TUERCA HEX. 8.8 DIN 934 M6 ZN | 2 |
| 5 | G041306 | ROSETTA GROWER 1751-A6 ZN | 1 |
| 6 | G021805 | TORNILLO AUTO ROSCADO DIN 7500 M5x10 (DIN 7500-C) | 3 |
| 7 | G070784 | TRANSFORMADOR DE CORRIENTE CTA 09 50/5A, Cl.3 - 1VA (24160-050) | 3 |
| 8 | G07A349 | CONECTOR SLF 5.08/10/180DF SN OR BX [REF. 1353680000] | 1 |
| 9 | G07A350 | CONECTOR SLF 5.08/09/180DF SN OR BX [REF. 1353670000] | 1 |
| 10 | SM5Q001274 | MARCADOR CUADRO ELECTRICO SOBRE COMPONENTE: "CT1" | 1 |
| 11 | SM5Q001280 | MARCADOR CUADRO ELECTRICO SOBRE COMPONENTE: "CT2" | 1 |
| 12 | SM5Q001750 | MARCADOR CUADRO ELECTRICO SOBRE COMPONENTE: "CT3" | 1 |
| 13 | G073617 | INTERR. MAGNETOTERMICO 50A 4P S204-B50 CURVA B - 6ka RIF. 2CDS254001R0505 | 1 |
| 14 | G075950 | BOBINA DE DISPARO ABB S200 12-60V AC/DC MODELO S2C-A1L REF.2CDS200907R0001 | 1 |
| 15 | G072311 | BORNE DE TIERRA 10MM AMARILLO/VERDE (1010300000) | 2 |
| 16 | SM5Q001130 | CARRIL DIN 35 MM SIMETRICO PERFORADO - CORTADO [210 mm] | 1 |
| 17 | G079415 | TOPE BORNA ES 35 PA COD. 2005.2 | 2 |
| 18 | G041903 | ROSETTA PIANA 6592 6.4x12.5 ZN | 1 |
| B | SM5P00P264 | CAJA DE POTENCIA P18 (ENSAMBLADO) | 1 |
| C | SM5P00P280 | FRONTAL DE POTENCIA P18 - INT. MODULAR 3/4P (ENSAMBLADO) | 1 |



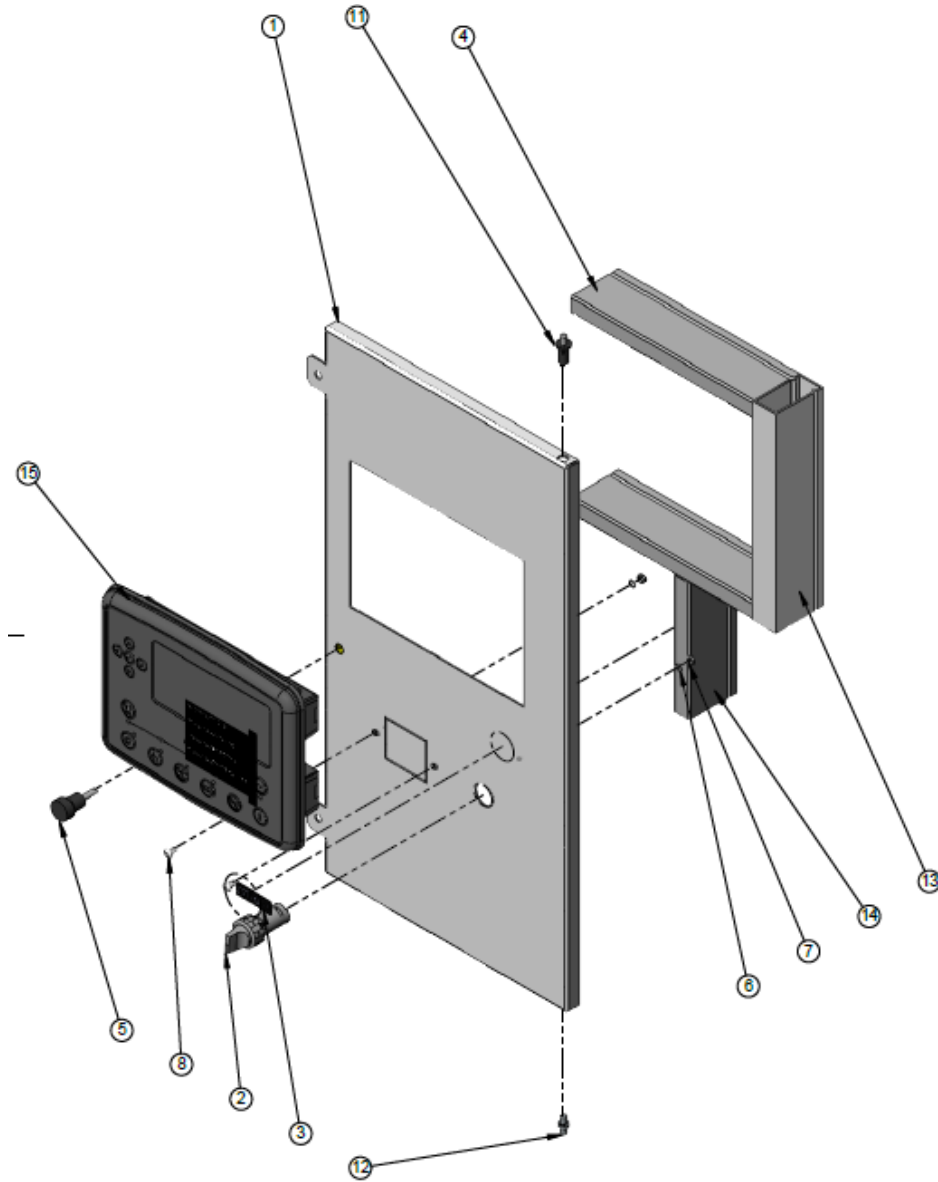
| Position | Part Number | Description | Qty |
|----------|-------------|---|-----|
| 1 | SM5P00P292 | C18 CONTROL BOX (ASSEMBLED) | 1 |
| 2 | SM5P10C129 | C18 CONTROL MOUNTING PLATE (ASSEMBLED) | 1 |
| 3 | SM5P10C130 | C18 (DS7320 MKII) CONTROL FRONTAL (ASSEMBLED) | 1 |



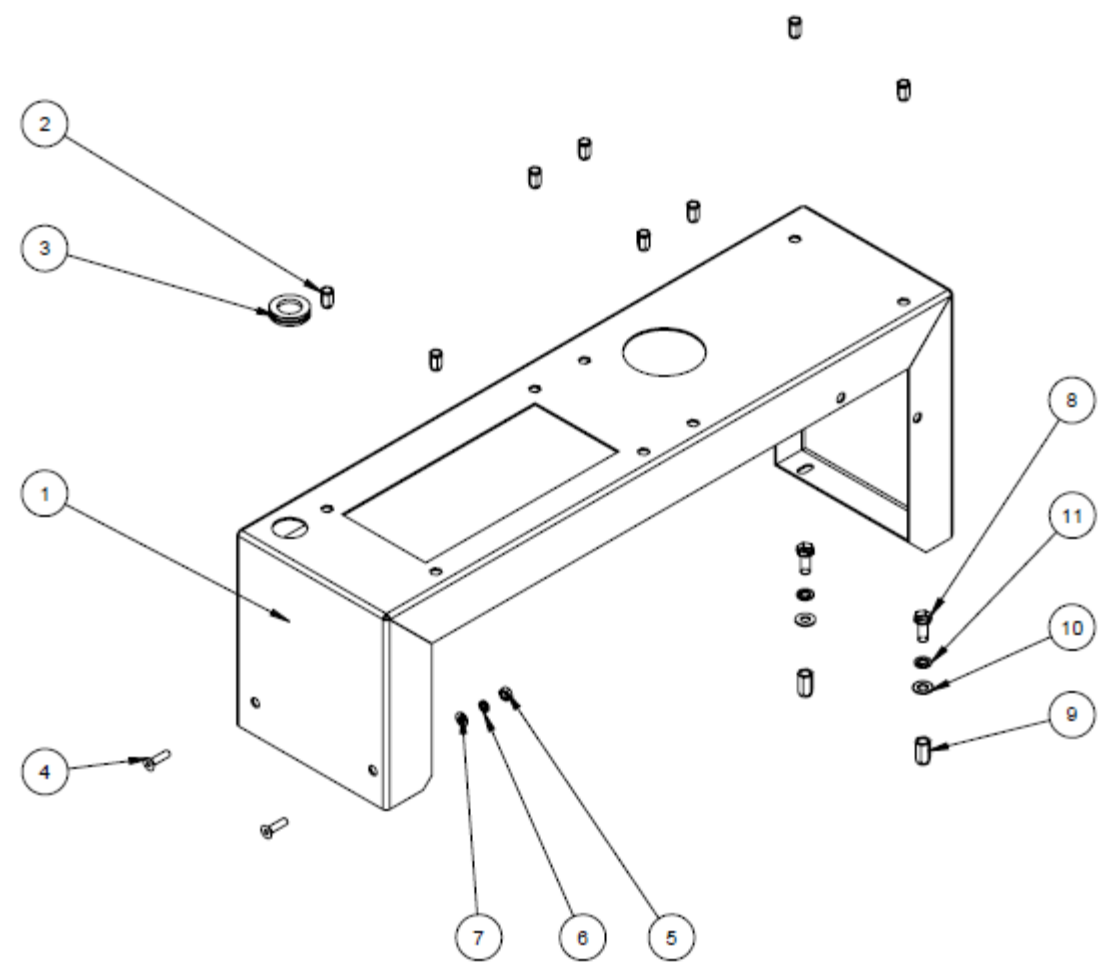
| Position | Part Number | Description | Qty |
|----------|-------------|---|-----|
| 1 | SM5P00P291 | CAJA DE CONTROL C18 (PINTADO+REMACHADO) - REV.B | 1 |
| 2 | G077996 | BASE CONECTOR INDUSTRIAL IP65 24 POLOS [REF. 1213900000] | 1 |
| 3 | G077994 | INDUSTRIAL MALE CONNECTOR 24-POLE 16A 500V SCREW CONNECTION [REF. 1211100000] | 1 |
| 4 | G023612 | TORNILLO ROSCA METRICA DIN 7985 M4X16 ZN | 4 |
| 7 | G020803 | VITE TE FLANGIA DENTATA 8.8 M6x16 ZN | 6 |
| 8 | G070278 | RACOR NEGRO DE POLIAMIDA PG9 DN 13/10 SEGÚN BS EN 50086 / UL94 | 1 |
| 10 | G071633 | PASACABLE GOMA PG9 NEGRO CON MEMBRANA TPE C/MEM. 15.5mm [REF. 5853PF01M] | 2 |
| 11 | G070274 | RACOR NEGRO DE POLIAMIDA PG16 DN 21/17 SEGÚN BS EN 50086 / UL94 | 1 |
| 13 | G020363 | TORNILLO HEX. 8.8 DIN 933 M4X16 ZN | 1 |
| 14 | G041422 | ARANDELA PLANA DIN 125 M4 ZN | 1 |
| 16 | G041903 | ROSETTA PIANA 6592 6.4x12.5 ZN | 2 |
| 17 | G041319 | ARANDELA SEGURIDAD -M6- [REF.D8-324-101-200] | 2 |
| 18 | G071632 | PASACABLE GOMA PG36 NEGRO CON MEMBRANA TPE C/MEM. 47mm [REF. 5859PF01M] | 1 |
| 19 | G07B050 | BASE PARA MONTAJE LATERAL EN PINZA SOUTHCO [REF. D8-336-300-121] | 2 |
| 20 | G07B051 | VASTAGO 1/4 VUELTA SOUTHCO [REF. D8-316-214-190] | 2 |



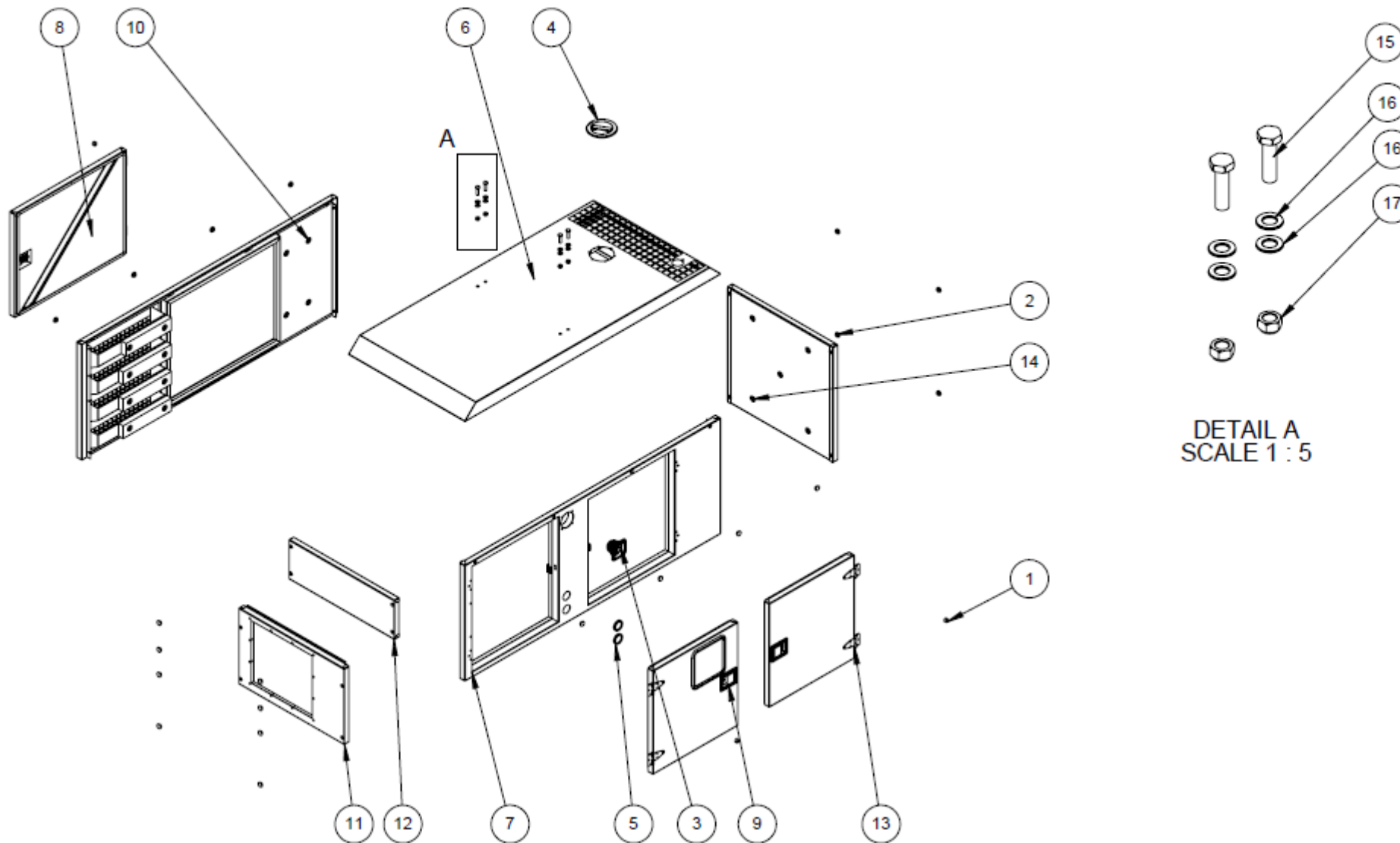
| Position | Part Number | Description | Qty |
|----------|-------------|---|-----|
| 1 | GM11625 | C18 (DSE7320 MKII) CONTROL MOUNTING PLATE (BENDED) - REV.B | 1 |
| 2 | SM5Q001524 | CABLE TRUNKING 60.20.77 - CUT [220 mm] | 1 |
| 3 | SM5Q001542 | CABLE TRUNKING 60.20.77 - CUT [310 mm] | 2 |
| 4 | SM5Q000792 | CABLE TRUNKING 60.40.77 - CUT [250 mm] | 2 |
| 5 | SM5Q001132 | 35 MM DIN RAIL SYMMETRIC PERFORATED - CUT [220 mm] | 1 |
| 6 | SM5P009030 | CONTROL TERMINALS BLOCK ACP-DSE7320 MKII C18/C20/C21 - GDW/GPW PANELS | 1 |
| 7 | G021805 | SELF THREADING SCREW DIN 7500 M5x10 (DIN 7500-C) | 17 |
| 8 | G020363 | HEX. SCREW 8.8 DIN 933 M4X16 ZN | 1 |
| 9 | G041853 | WASHER LOCK SERRATED EXT M4 STEEL ZINC PLATE/PASSIVATE | 1 |
| 10 | G032302 | STANDARD NUT 5588 65 CL8 M4 ZN (DIN 934) | 2 |
| 11 | G041108 | GROWER WASHER 1751-D4 ZN 1 | 1 |
| 12 | G041422 | DIN 125 M4 ZN FLAT WASHER 1 | 1 |
| 13 | G07A025 | CRETECH BATTERY CHARGER 12V/5A [REF.BPR0512S] | 1 |
| 14 | G077275 | RELAY NAGARES RLP 52-12D 40A 14V (+ DIODE) | 4 |
| 15 | G07A351 | CONECTOR BLF 5.08HC/10/180 SN OR BX [REF. 1013770000] | 1 |
| 16 | G07A352 | CONECTOR BLF 5.08HC/09/180 SN OR BX [REF. 1013760000] | 1 |
| 17 | SM5Q001252 | ELECTRIC PANEL MARKER ON COMPONENT: "U1" | 1 |
| 18 | SM5Q001253 | ELECTRIC PANEL MARKER ON COMPONENT: "KST" | 1 |
| 19 | SM5Q001254 | ELECTRIC PANEL MARKER ON COMPONENT: "KSO" | 1 |
| 20 | SM5Q001273 | ELECTRIC PANEL MARKER ON COMPONENT: "KGP" | 1 |
| 21 | SM5Q001752 | ELECTRIC MARKER ON COMPONENT: "KBT" | 1 |
| 22 | G00C150 | STICKER WARNING CONNECTION OF LTS - DEEP SEA | 1 |



| Position | Part Number | Description | Qty |
|----------|-------------|---|-----|
| 1 | SM5P10C131 | C18 CONTROL FRONTAL (DS7320 MKII) (PAINTED+RIVETED) - REV.B | |
| 2 | G075134 | 2 POS. MANT.BC 2NA C2SS1-10B-20 (REF. ABB 1SFA619200R1026) SELECTOR | |
| 3 | SM5Q001300 | ELECTRIC PANEL MARKER ON FRONT: "(S1) 0 - I" | |
| 4 | SM5Q001526 | CABLE TRUNKING 60.20.77 - CUT [230mm] | |
| 5 | G051965 | PUSH / PULL KNOB 25x25 M6x20 ESSENTRA Ref.466360 | |
| 6 | G041853 | WASHER LOCK SERRATED EXT M4 STEEL ZINC PLATE/PASSIVATE | |
| 7 | G032302 | STANDARD NUT 5588 65 CL8 M4 ZN (DIN 934) | |
| 8 | G025918 | ALLEN SCREW, ISO7380, FORM A, M5x8, ZN | |
| 10 | G032313 | 8.8 DIN 934 M5 ZN HEX. NUT | |
| 11 | G040088 | HIDDEN HINGE MESAN 089 | |
| 12 | G040087 | LOWER ROTATION PIN MESAN 32003192 | |
| 13 | SM5Q000678 | CABLE TRUNKING 60.30.77 - CUT [240 mm] | |
| 14 | SM5Q001510 | CABLE TRUNKING 60.20.77 - CUT [150mm] | |
| 15 | G076963 | CONTROLLER DSE7320 MKII | |

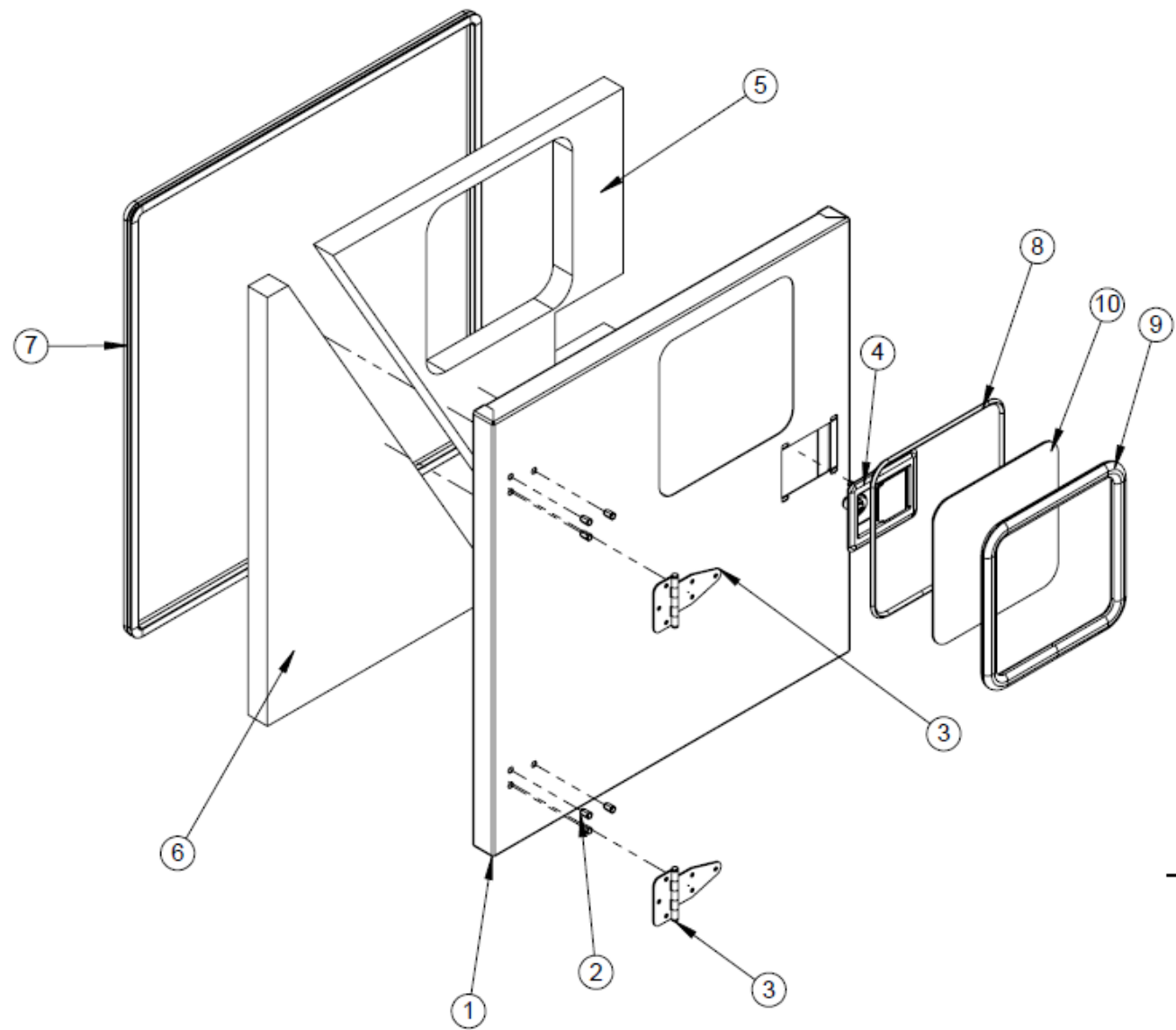


| Position | Part Number | Description | Qty |
|----------|-----------------|---|-----|
| 1 | NVW001003-9005B | SUPPORT CONTROL PANEL P18-C18 CANOPY A20 YANMAR S5 (PAINTED RAL9005B) | 1 |
| 2 | G040213 | INSERTO FILETTATO M6 | 8 |
| 3 | G052495 | SOFT GROMMET WITH MEMBRANE TPE C/MEM. 28mm [REF. 5857PF01M] | 1 |
| 4 | G026301 | SCREW DIN 7991 M6X20. INOX | 2 |
| 5 | G032106 | HEX. 8.8 NUT DIN 934 M6 ZN | 2 |
| 6 | G041306 | GROWER WASHER 1751-A6 ZN | 2 |
| 7 | G041903 | ROSETTA PIANA 6592 6.4x12.5 ZN | 2 |
| 8 | G022011 | VITE TE 5739 65 8.8 M8X20 ZN | 2 |
| 9 | G040240 | HEX. RIVET NUT M8 WITH REDUCED HEAD (Th: 3,5-6MM) REF.34341080060 | 2 |
| 10 | G041208 | ROSETTA PIANA M8 | 2 |
| 11 | G041308 | ROSETTA GROWER 1751-A8 ZN | 2 |

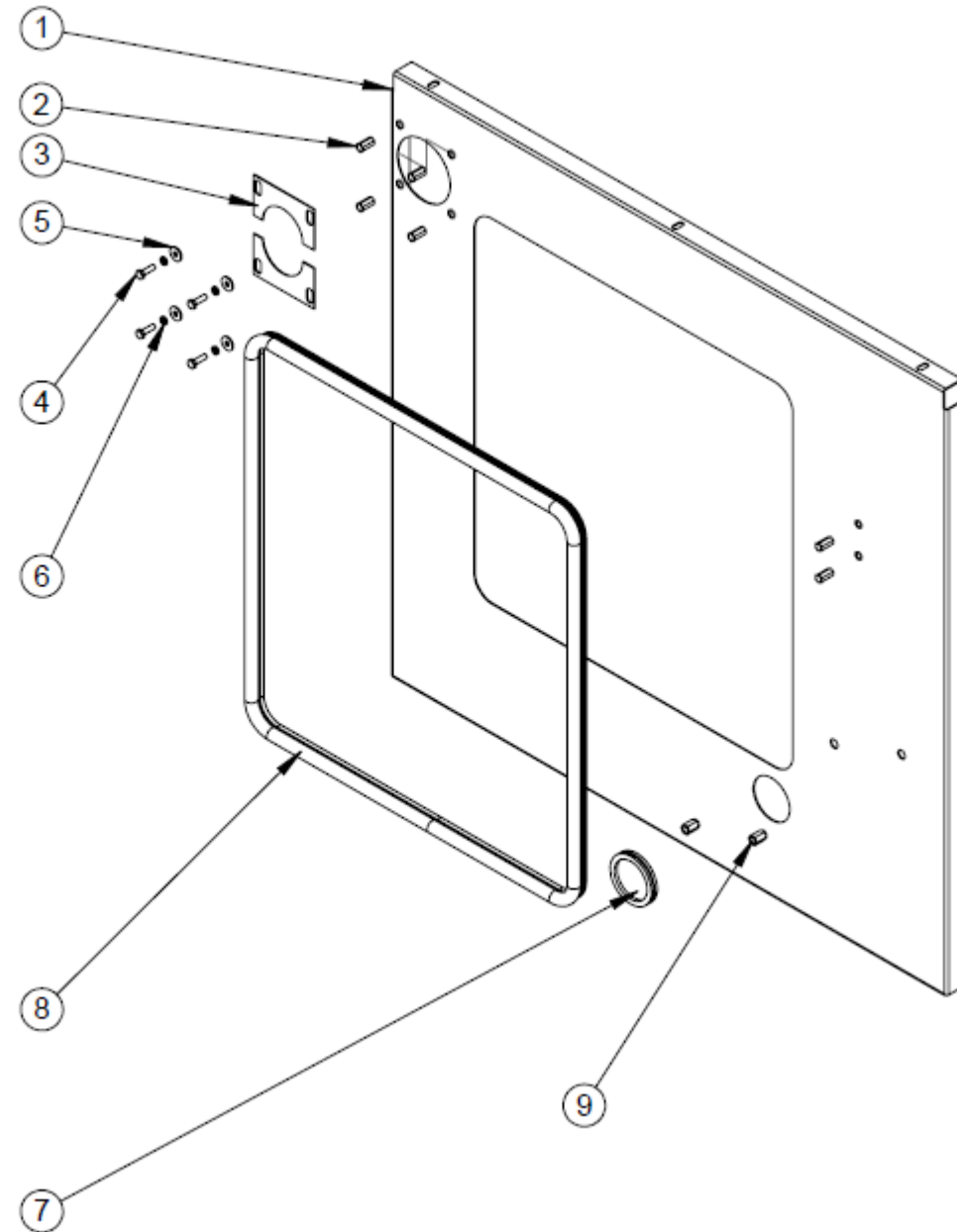


| Position | Part Number | Description | Note |
|----------|-------------|---|------|
| 1 | G052906 | SILENTBLOCK 24x14 NR75 (Ref.PTC2414XH) | |
| 2 | G051508 | HOLE PLUG D=22 REF.16236 | |
| 3 | G076509 | 3501 SERIES FULL BUTTON EMERGENCY 1 CONTACT | |
| 4 | G051153 | PLASTIC CAP De 189 Di 148 HC2 ACCESS HATCH WITH O RING | |
| 5 | G052211 | RUBBER GROMMET WITH MEMBRANE PG48 TPE C/MEM. 59mm | |
| 6 | NQC000668 | ROOF CANOPY A18 YANMAR STAGE V ASSEMBLY (RAL 9016) | |
| 7 | NQC000836 | CANOPY RIGHT SIDE PANEL A20 YANMAR S5 ASSEMBLY (RAL 9016 SMOOTH) | |
| 8 | NQC000091 | CANOPY ASPIRATION DOOR A20 ASSEMBLY (RAL9016 SMOOTH FINISHING) | |
| 9 | NQC000092* | CANOPY DOOR ELECTRIC BOX A20 ASSEMBLY (RAL9016 SMOOTH FINISHING) | |
| 10 | NQC000834 | LEFT LATERAL PANEL A20 YANMAR S5 ASSEMBLY CANOPY (RAL9016 SMOOTH) | |
| 11 | NQC000166 | SOCKET PANEL GPW A20 (RAL9016 SMOOTH FINISHING) | |
| 12 | NQC000167 | UPPER BACK PANEL A20 (RAL9016 SMOOTH FINISHING) | |
| 13 | NQC000168 | CANOPY DOOR A20 (RAL9016 SMOOTH FINISHING) | |
| 14 | NQC000090 | CANOPY BACK PANEL A20 ASSEMBLY (RAL9016 SMOOTH FINISHING) | |
| 15 | G022091 | SCREWS HEX. M14X50 CLASS 8.8 ZN (DIN 933) | |
| 16 | G041215 | Flat washer 6592 15x28 | |
| 17 | G034314 | TUERCA AUTOBL. DIN 985 M14 ZN | |

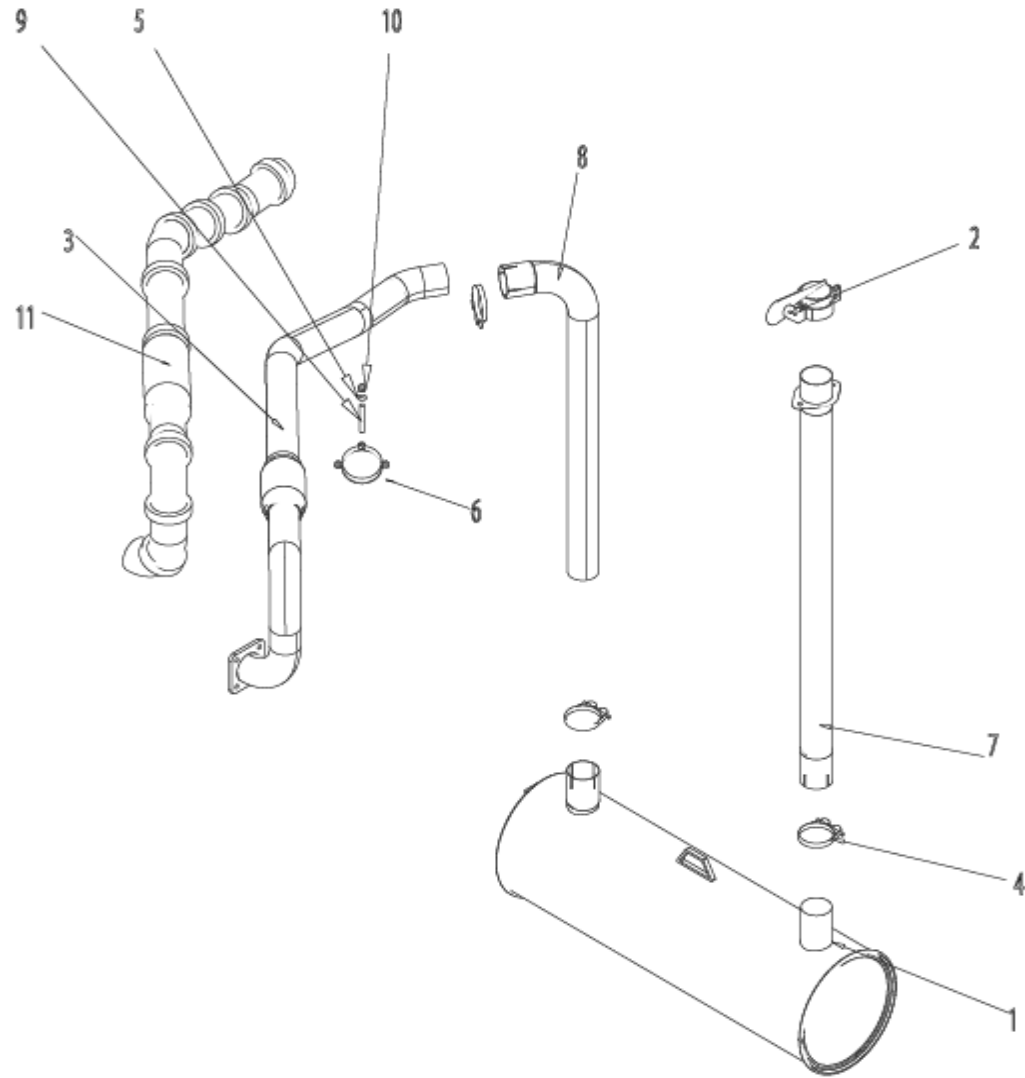
* Check respective exploded view



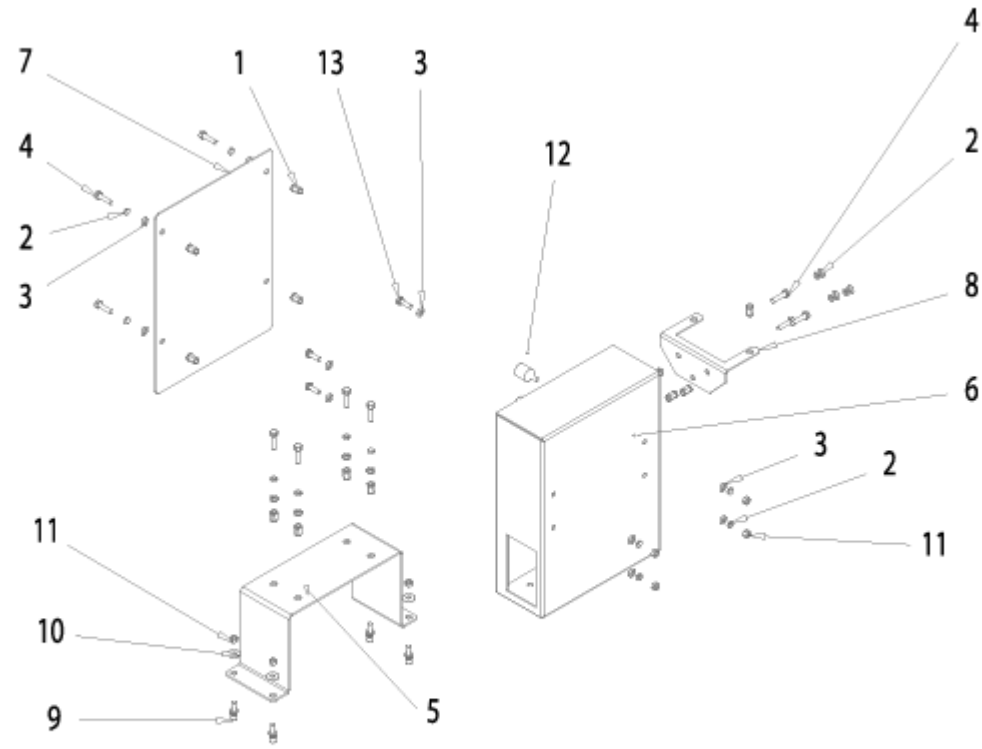
| Position | Part Number | Description | Note |
|----------|----------------|---|------|
| 1 | NVW000050-9016 | DOOR ELECTRIC BOX A20 (PAINT SMOOTH FINISH) | |
| 2 | G040213 | INSERTO FILETTATO M6 | |
| 3 | G040037 | Cerniera inox 137x85mm Hercor / Hinge inox 137x85mm Hercor | |
| 4 | G058018 | PADDLE LATCH WITH KEY 140x120 | |
| 5 | NQQ000077 | SOUNDPROOF DOOR CONTROL PANEL SIDE LOCK A20 | |
| 6 | NQQ000082 | SOUNDPROOF DOOR CONTROL PANEL HINGE SIDE A20 | |
| 7 | SM5Q000110 | RUBBER SHIELD PROFILE (ASSOTECH ref. 001.001332) G091220 - L=2904 | |
| 8 | SM5Q000108 | RUBBER SEALING (Code G091001). | |
| 9 | SM5Q000107 | RUBBER FOR FIXING METHACRYLATE SIZE 255X255 (G091317) | |
| 10 | NQQ000090 | WINDOW CONTROL PANEL DOOR 255x255 Ra.30 (POLYCARBONATE) | |



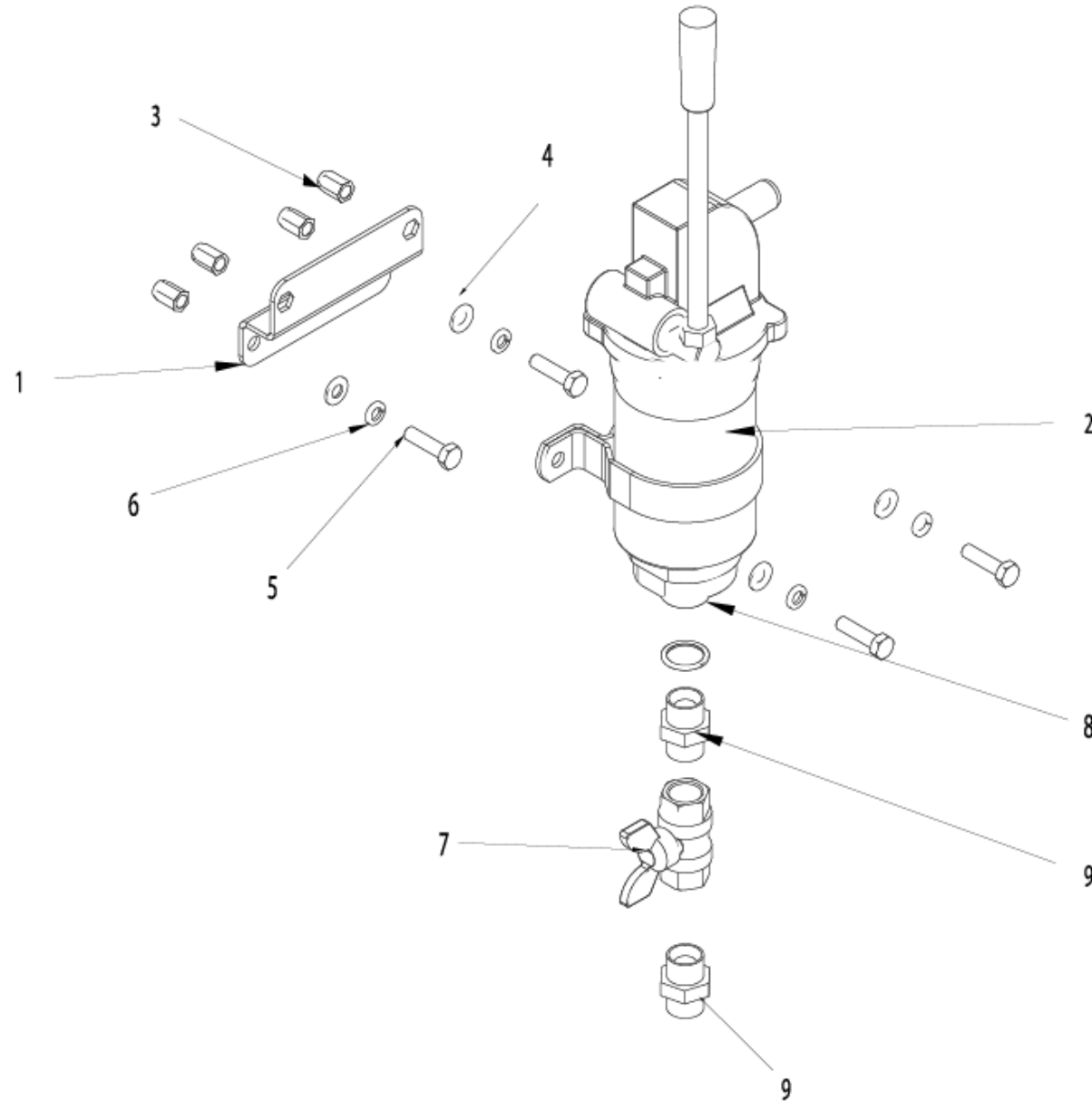
| Position | Part Number | Description | Note |
|----------|-------------|--|------|
| 1 | NYB002422 | SEPARATOR CONVEYER YANMAR 4TNV98C-CT CANOPY A20 (BENT) | |
| 2 | G040127 | RIVET BLIND HEX SHORT HEAD NUT M.6 | |
| 3 | NYP000206 | HALF MOON FOR EXHAUST PIPE IN SEPARATOR DIA. 66mm (WITHOUT BEND) | |
| 4 | G020249 | HEXAGONAL SCREW. 8.8 DIN 933 M6X20 INOX | |
| 5 | G041445 | FLAT WASHER DIN 9021 M6 | |
| 6 | G041306 | GROWER WASHER 1751-A6 ZN | |
| 7 | G052211 | RUBBER GROMMET WITH MEMBRANE PG48 TPE C/MEM. 59mm | |
| 8 | NQQ001509 | PROFILE RUBBER SHIELD G091201 L=2150 mm | |
| 9 | G040219 | M8 FEMALE THREADED HEXAGONAL STUB | |



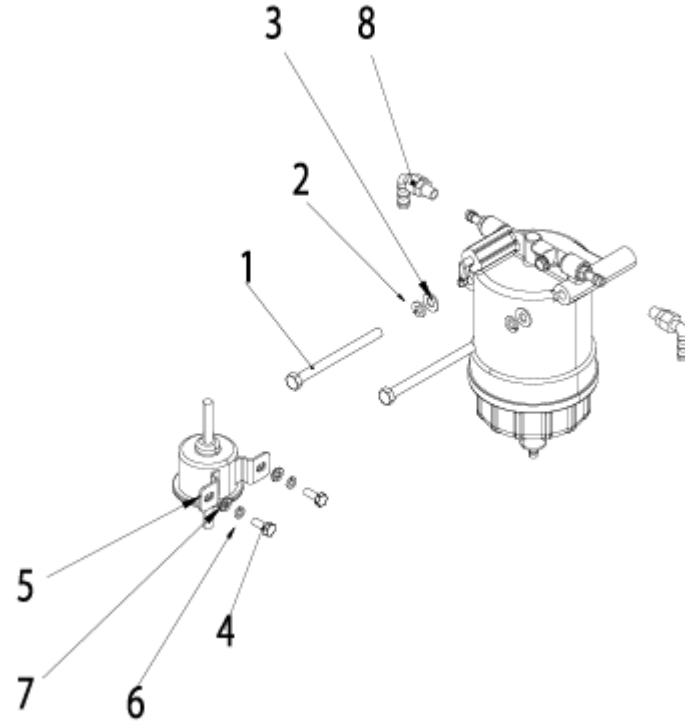
| Position | Part Number | Description | note |
|----------|-------------|--|------|
| 1 | NVA000011 | SILENZIATORE CANOPY A18 | |
| 2 | G088333 | PARAPLUIE D'ECHAPPEMENT Ø60 | |
| 3 | NVA000126 | MANIFLOD YANMAR 4TNV98C/CTIPGE CANOPY A20 REF. MTS 01.03202 | |
| 4 | G049148 | CLAMP SUPRA 63-68 MM W2 | |
| 5 | G041208 | ROSETTA PIANA M8 | |
| 6 | G049252 | PIPE FIXING CLAMP D80 EXCHANGE EXHAUST POSITION | |
| 7 | NVA000010 | FINAL EXHAUST PIPE FROM MUFFLER CANOPY A20 REF. MTS 01.03689 | |
| 8 | NVA000388 | PIPE INLET MUFFLER CANOPY A20 YANMAR S5 REF.MTS 01.03252 | |
| 9 | SM5Q000054 | THREADED ROD DIN976-A-4.8 (A2K) M8X65 (REF.WÜRTH 095898 65) | |
| 10 | G034308 | DADO AUTOBL. 7473 M8 ZN | |
| 11 | NQA001169 | KIT THERMAL MANIFOLD JACKET YANMAR STAGE V (4TNV98C/CTIPGE) | |



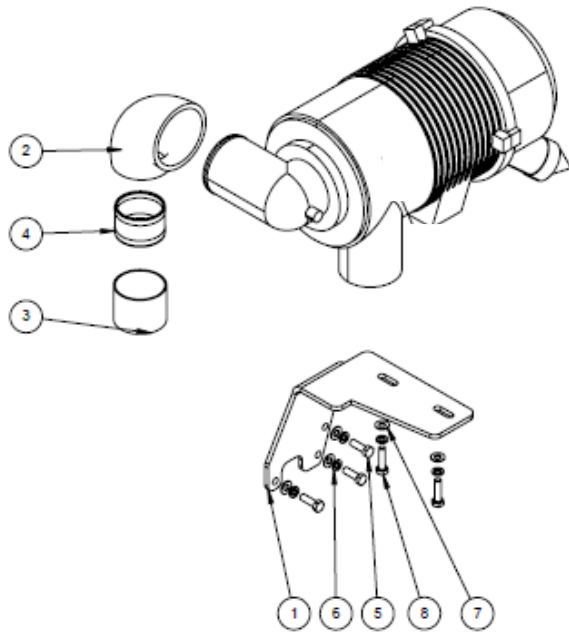
| Position | Part Number | Description | note |
|----------|-----------------|---|------|
| 1 | G040213 | INSERTO FILETTATO M6 | |
| 2 | G041306 | GROWER WASHER 1751-A6 ZN | |
| 3 | G041903 | GROWER WASHER | |
| 4 | G022003 | HEX CAP SCREW 5739 M6x25 | |
| 5 | NVB002223-9005B | SUPPORT ECU-T4-BOSCH YANMAR 4TNV98C/CT-IPGE (PAINTED RAL 9005B) | |
| 6 | NVW002018-9005B | SUPPORT BOX-ECU BOX YANMAR S5 A20 | |
| 7 | NVP002419-9005B | ECU BOX COVER YANMAR S5 (PAINTED RAL 9005B) | |
| 8 | NVB002450-9005B | FUSE BOX SUPPORT YANMAR S5 (PAINTED RAL 9005B) | |
| 9 | G040217 | RIVET SCREW M6x15 CILINDRICAL WITH BRIM | |
| 10 | G041445 | FLAT WASHER DIN 9021 M6 | |
| 11 | G032106 | HEX. 8.8 NUT DIN 934 M6 ZN | |
| 12 | G052828 | SILENT BLOCK CIL. MH 20x20 M6x16 55SH (REF. 0862800010) | |
| 13 | G020249 | HEXAGONAL SCREW. 8.8 DIN 933 M6X20 INOX | |



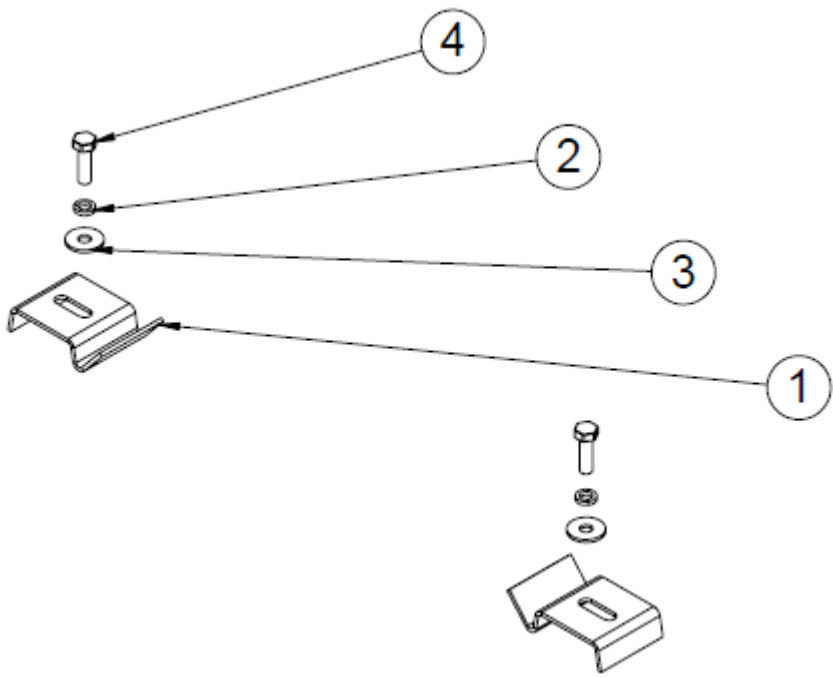
| Position | Part Number | Description | note |
|----------|-----------------|--|------|
| 1 | NVB002215-9005B | MOP SUPPORT +28MM SPACER + 41MM ELEVATOR (PAINTED RAL 9005B) | |
| 2 | G088401 | MANUAL PUMP CAPACITIVE' 60L/MIN | |
| 3 | G040219 | M8 FEMALE THREADED HEXAGONAL STUB | |
| 4 | G041208 | ROSETTA PIANA M8 | |
| 5 | G020215 | VITE TE 5739 65 8.8 M8x30 | |
| 6 | G041308 | ROSETTA GROWER 1751-A8 ZN | |
| 7 | G085011 | BALL TAP 1/2"BSP F/F BV90-12 (RED HANDLE) REF. 3037 04 | |
| 8 | G041444 | COPPER FALT WASER 21X27MM | |
| 9 | G084272 | MACHON 1/2"-1/2" CONICO | |



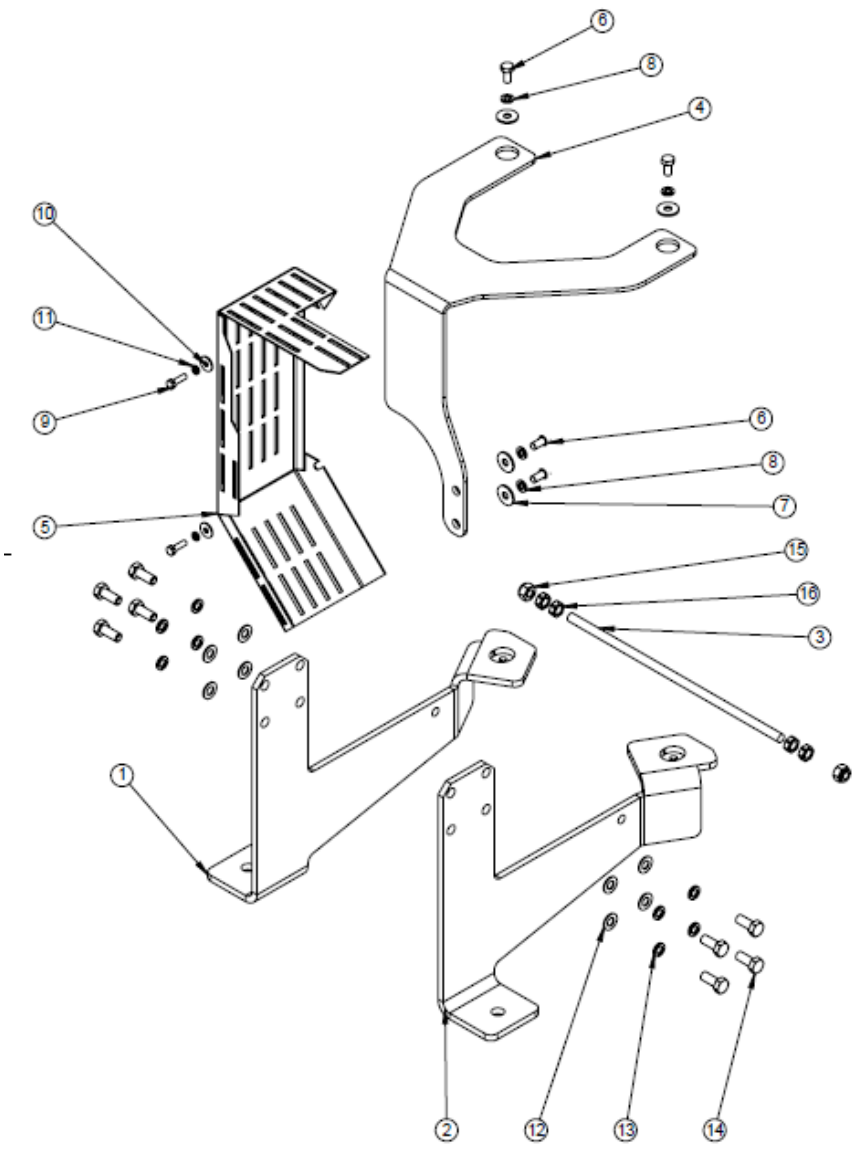
| Position | Part Number | Description | Qty |
|----------|-------------|--|-----|
| 1 | G022256 | HEX.SCREW UNI5737 8.8 M8X100 ZN (DIN931) | 2 |
| 2 | G041308 | ROSETTA GROWER 1751-A8 ZN | 2 |
| 3 | G041208 | ROSETTA PIANA M8 | 2 |
| 4 | G020311 | 8.8 DIN 933 M6X16 ZN HEX. BOLT | 2 |
| 5 | G032106 | HEX. 8.8 NUT DIN 934 M6 ZN | 2 |
| 6 | G041306 | GROWER WASHER 1751-A6 ZN | 2 |
| 7 | G041903 | GROWER WASHER 6592 6.4x12.5 ZN | 2 |
| 8 | G08A088 | ELBOW 90° ADAPTER 1/8" BSPT FITTING WITH 9mm SPIKE | 2 |



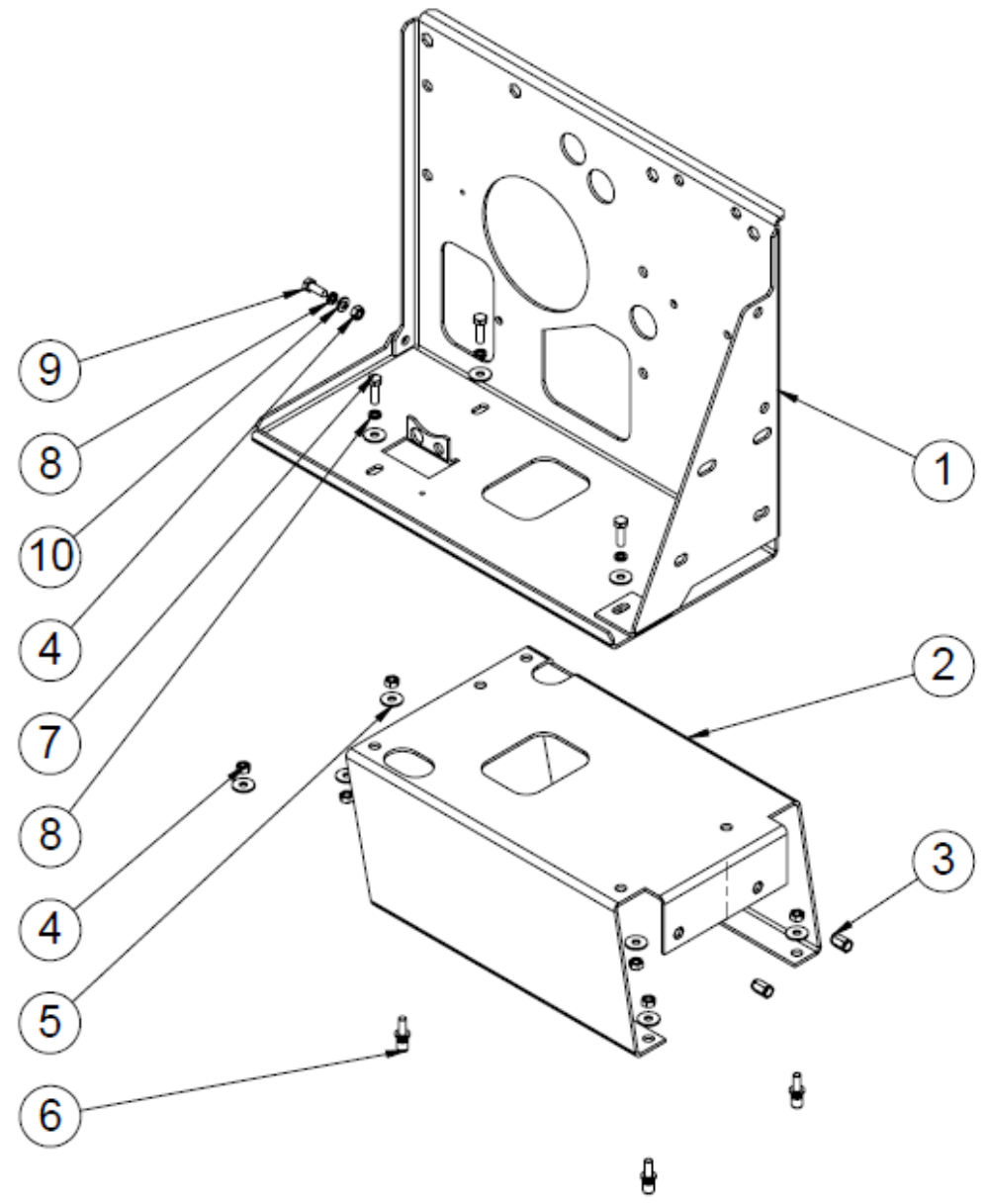
| Position | Part Number | Description | note |
|----------|-----------------|--|------|
| 1 | NVB002217-9005B | BRACKET AIR FILTER YANMAR 4TNV98C-IPGE GPW A18 (PAINTED RAL 9005B) | |
| 2 | G052461 | RUBBER ELBOW REDUCER Ø 60-76 - REF. DONALDSON P778565 | |
| 3 | SM5Q080614 | HOSE EPDM EPDM D.INT.60MM L=25MM (G052465) | |
| 4 | SM5Q002046 | PIPES COUPLER CYLINDRICAL D.EXT.60MM L=40MM | |
| 5 | G022012 | VITE TE 5739 65 8.8 M8X25 ZN | |
| 6 | G041308 | ROSETTA GROWER 1751-A8 ZN | |
| 7 | G041208 | ROSETTA PIANA M8 | |
| 8 | G020215 | VITE TE 5739 65 8.8 M8x30 | |



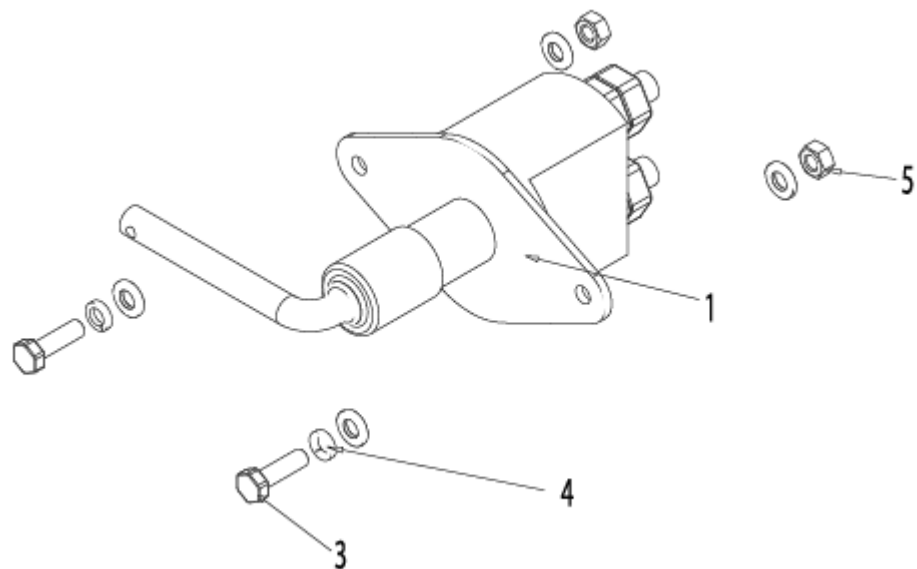
| Position | Part Number | Description | note |
|----------|-------------|---|------|
| 1 | NYB000978 | BATTERY FIX A18 (BENT) | |
| 2 | G041306 | GROWER WASHER 1751-A6 ZN | |
| 3 | G041202 | FLAT WASHER DIN 9021 M6x18x1.5 ZN | |
| 4 | G020249 | HEXAGONAL SCREW. 8.8 DIN 933 M6X20 INOX | |



| Position | Part Number | Description | note |
|----------|-------------|---|------|
| 1 | GM9385 | LEFT LEG ENGINE/RADIATOR 4TNV98 | |
| 2 | GM9386 | RIGHT LEG ENGINE/RADIATOR ON ENGINE YANMAR 4TNV98 | |
| 3 | SM5Q000325 | CILINDRICAL ROD L=330MM - THREADED M10 L=90MM | |
| 4 | GM2842 | RADIATOR BRACKET YANMAR 4TNV98*) | |
| 5 | GM1724 | ALTERNATOR BELT PROTECTION ENGINE YANMAR 4TNV98* | |
| 6 | G022010 | HEX-HEAD SCREW 5739 65 8.8 M8x16 ZN | |
| 7 | G041413 | FLAT WASHER DIN 9021 M8X24X2 ZN | |
| 8 | G041308 | ROSETTA GROWER 1751-A8 ZN | |
| 9 | G020249 | HEXAGONAL SCREW. 8.8 DIN 933 M6X20 INOX | |
| 10 | G041202 | FLAT WASHER DIN 9021 M6x18x1.5 ZN | |
| 11 | G041306 | GROWER WASHER 1751-A6 ZN | |
| 12 | G041210 | FLAT WASHER DIN 125 M10X20X2 | |
| 13 | G041310 | GROWER WASHER 1751-A8 ZN | |
| 14 | G022043 | VITE TE 5739 65 8.8 M10x25 ZN | |
| 15 | G034309 | DADO AUTOBL. 7473 M10 ZN | |
| 16 | G032110 | 8.8 DIN 934 M10 ZN HEX NUT | |



| Position | Part Number | Description | note |
|----------|-----------------|--|------|
| 1 | NVB002162-9005B | BRACKET KIT OPTIONS A18/B10 V2 (PAINT) | |
| 2 | NVB001973-9005B | BRACKET SUPPLEMENT KIT OPTIONS A18 (PAINTED) | |
| 3 | G040213 | INSERTO FILETTATO M6 | |
| 4 | G032106 | HEX. 8.8 NUT DIN 934 M6 ZN | |
| 5 | G041445 | FLAT WASHER DIN 9021 M6 | |
| 6 | G040217 | RIVET SCREW M6x15 CILINDRICAL WITH BRIM | |
| 7 | G020249 | HEXAGONAL SCREW. 8.8 DIN 933 M6X20 INOX | |
| 8 | G041306 | GROWER WASHER 1751-A6 ZN | |
| 9 | G020311 | 8.8 DIN 933 M6X16 ZN HEX. BOLT | |
| 10 | G041903 | ROSETTA PIANA 6592 6.4x12.5 ZN | |



| Position | Part Number | Description | Qty |
|----------|-------------|--|-----|
| 1 | G075323 | CUT OF BATTERIES | 1 |
| 3 | G020249 | HEXAGONAL SCREW. 8.8 DIN 933 M6X20 INOX | 2 |
| 4 | G041306 | GROWER WASHER 1751-A6 ZN | 2 |
| 5 | G032106 | ZN 2 005 G032106 TUERCA HEX. 8.8 DIN 934 M6 ZN | 2 |